

<i>Functions and characteristics</i>	A-1
<i>Installation recommendations</i>	B-1
Dimensions and mounting	C-2
EasyPact CVS100 to 630	C-2
Vigi CVS100 to 630	C-3
Front-panel accessories	C-4
EasyPact CVS100 to 630	C-4
Front-panel cutouts	C-5
EasyPact CVS100 to 630	C-5
Vigi CVS100 to 630	C-6
Power connections	C-7
EasyPact and Vigi CVS100 to 630	C-7
Connection of insulated bars or cables with lugs to EasyPact and Vigi CVS100 to 630	C-10
Connection of bare cables to EasyPact and Vigi CVS100 to 630	C-11
<i>Additional characteristics</i>	D-1
<i>Catalogue numbers</i>	E-1



Dimensions		3P	4P
<p>DB400055</p> <p>Interphase barriers. Short terminal shields.</p>	<p>DB400056</p>	<p>DB400057</p>	<p>DB400058</p>
		<p>Long terminal shields (also available for CVS400/630 spreaders with 52.5 mm pitch: B1 = 157.5 mm, B2 = 210 mm).</p>	

Mounting	CVS100 to 250	CVS400/630	CVS100 to 630
On backplate	3P	3P	4P
<p>DB400059</p>	<p>DB111411</p>	<p>DB112066</p>	<p>DB112067</p>

(1) The ØT holes are required for rear connection only.

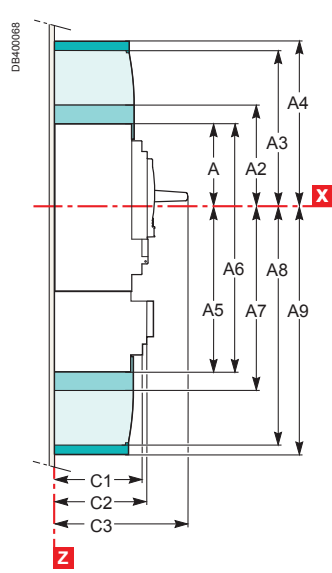
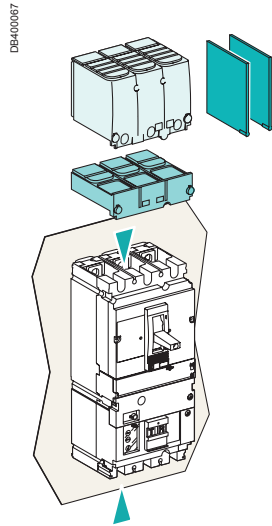
On rails	3P	3P	4P
<p>DB400063</p>	<p>DB111412</p>	<p>DB112069</p>	<p>DB112070</p>

On DIN rail with adaptor plate (CVS100 to 250)	
<p>DB400168</p>	<p>DB400169</p>

Dimensions and mounting

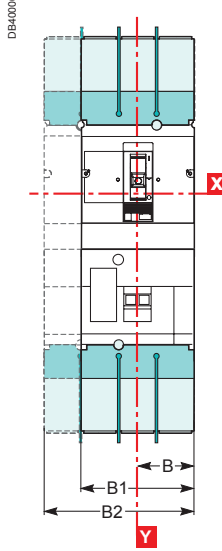
Vigi CVS100 to 630

Dimensions



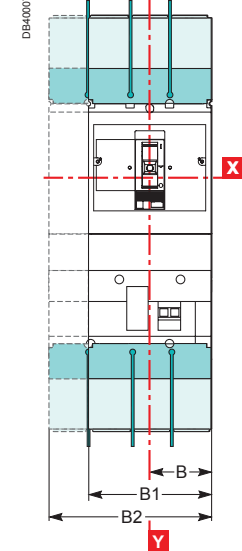
3/4P

CVS100 to 250



3/4P

CVS400/630



Mounting

CVS100 to 250

CVS400/630

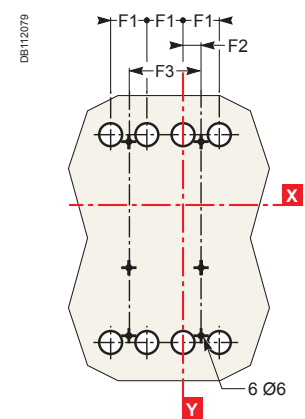
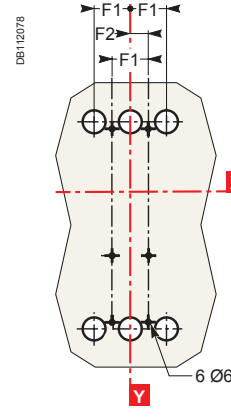
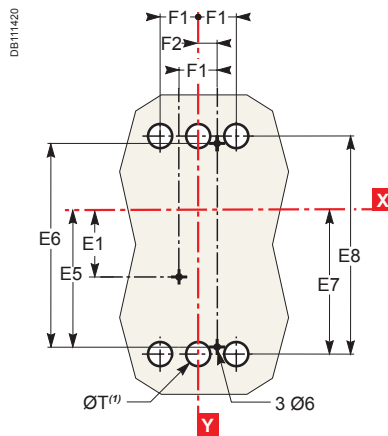
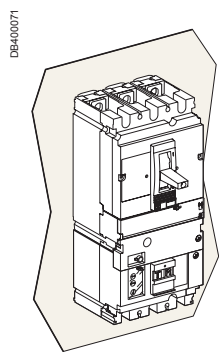
CVS100 to 630

On backplate

3P

3P

4P



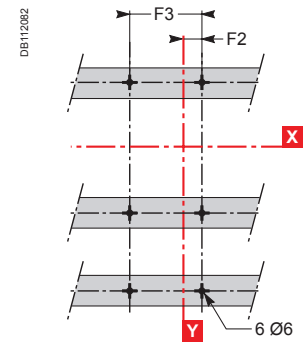
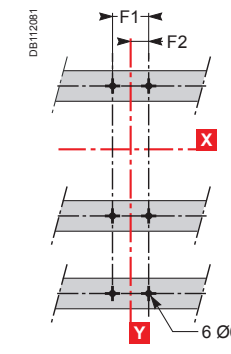
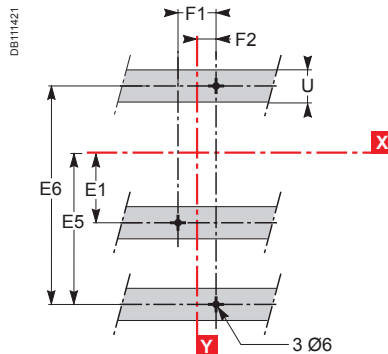
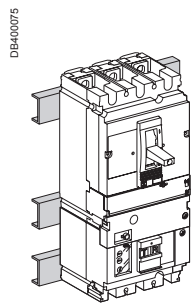
(1) The ØT holes are required for rear connection only.

On rails

3P

3P

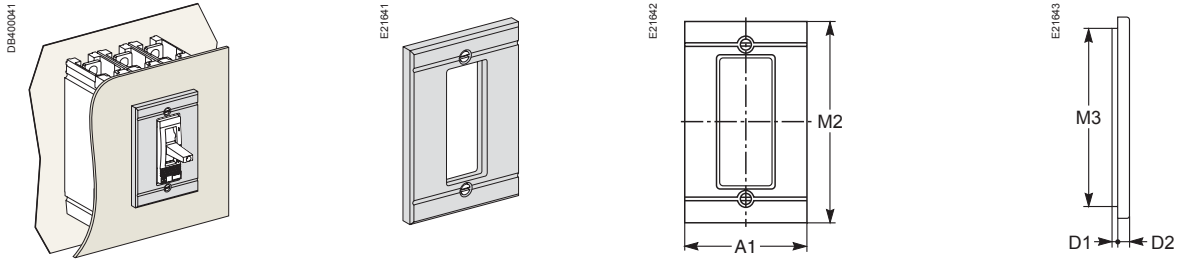
4P



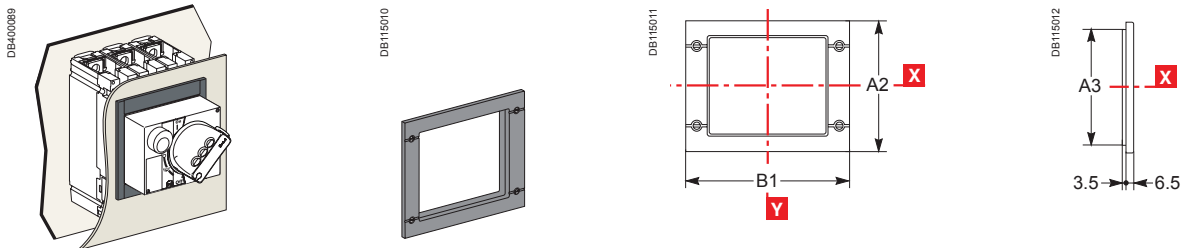
Type	A	A1	A2	A3	A4	A5	A6	A7	A8	A9	B	B1	B2	C1	C2	C3	E1
CVS100/160/250	80.5	161	94	145	178.5	155.5	236	169	220	253.5	52.5	105	140	81	86	126	62.5
CVS400/630	127.5	255	142.5	200	237	227.5	355	242.5	300	337	70	140	185	95.5	110	168	100
Type	E2	E3	E4	E5	E6	E7	E8	F1	F2	F3	G1	G2	G3	G4	G5	ØT	U
CVS100/160/250	125	70	140	137.5	200	145	215	35	17.5	70	95	75	13.5	23	17.5	24	≤ 32
CVS400/630	200	113.5	227	200	300	213.5	327	45	22.5	90	-	-	-	-	-	32	≤ 35

IP40 front-panel escutcheons

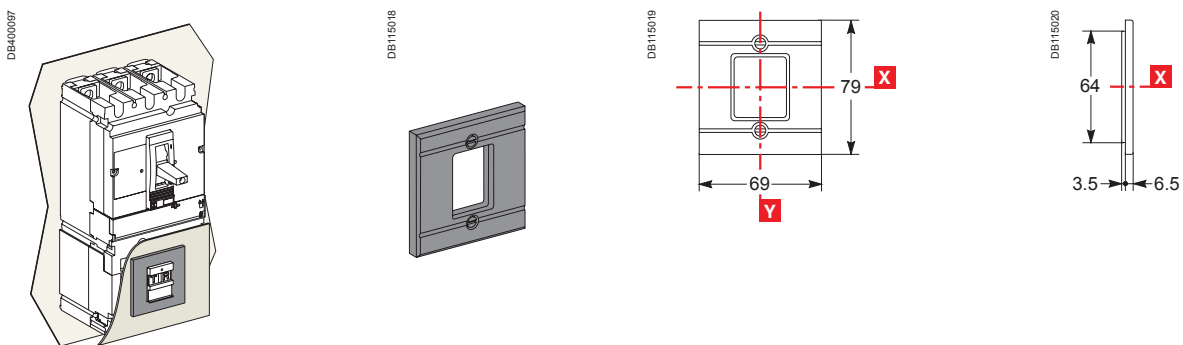
For toggle



For rotary handle or module and protection collar



For Vigi



Type	A1	A2	A3	B1	M2	M3
CVS100/160/250	91	114	101	157	115	102
CVS400/630	123	164	151	189	155	142

Front-panel cutouts

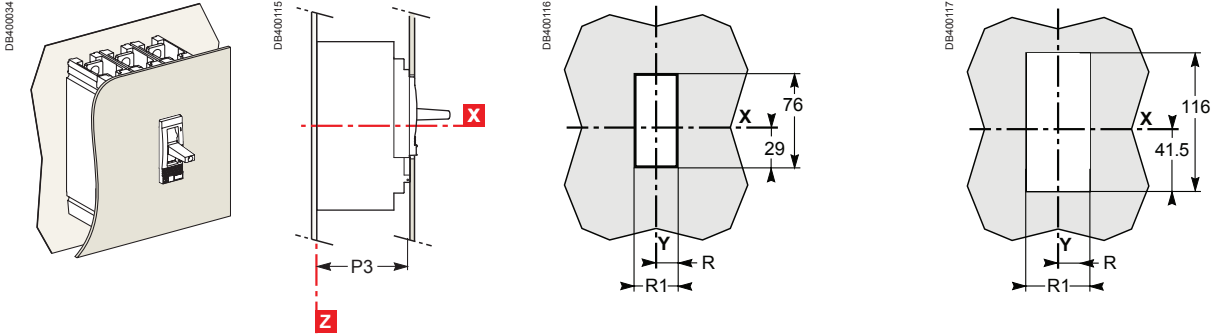
EasyPact CVS100 to 630

Bare sheet metal

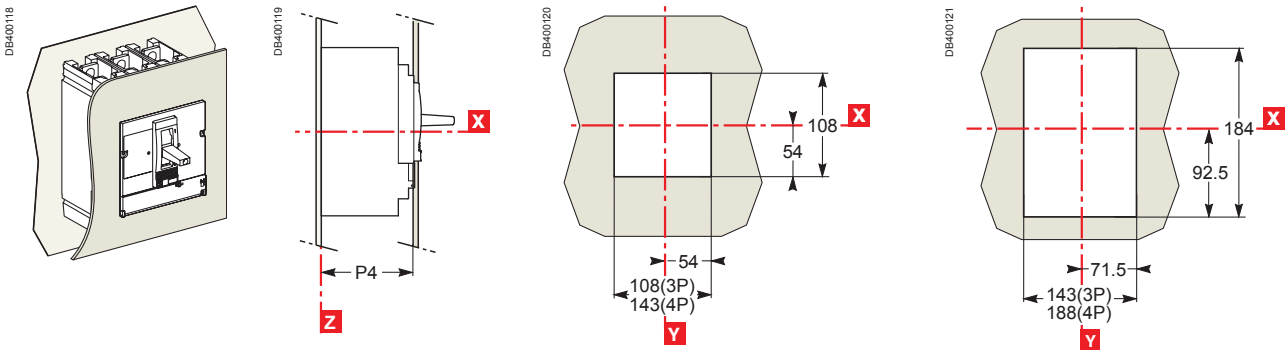
CVS100 to 250

CVS400/630

For toggle



For toggle with access to trip unit



Type	P3	P4	R	R1
CVS100/160/250	88	83	14.5	29
CVS400/630	112	107	31.5	63